



**SERIES OF COOLING TOWERS**



**SERIES 'V'**

- FRP Casing with HDG/Stainless Steel/Pultruded FRP Structure
- Single cell water flow rate: 8 M<sup>3</sup>/hr-2500 M<sup>3</sup>/hr
- Available for single cell & multi cells & without basin.
- Factory Assembled or Field Erected
- Available with Belt Drive, Direct Drive, Gear Drive options.



**SERIES 'T'**

- FRP Casing with HDG/Stainless Steel/Pultruded FRP Structure
- Single cell water flow rate: 80 M<sup>3</sup>/hr-800 M<sup>3</sup>/hr
- Available for single cell & multi cells & without basin
- Factory Assembled or Field Erected
- Available with Belt Drive, Direct Drive, Gear Drive options.



**SERIES 'C'**

- FRP Casing with HDG/Stainless Steel/Pultruded FRP Structure
- Single cell water flow rate: 10 M<sup>3</sup>/hr-300 M<sup>3</sup>/hr
- Available with rotary sprinkler & fixed spray nozzle options
- Factory Assembled or Field Erected
- Available with Belt Drive, Direct Drive, Gear Drive options.



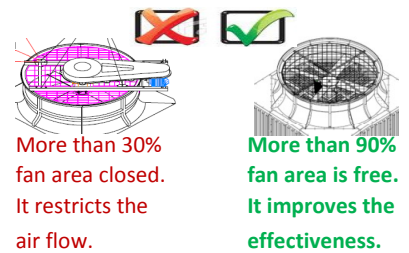
**SERIES 'I'**

- FRP Casing with HDG/Stainless Steel/Pultruded FRP Structure
- Single cell water flow rate: 80 M<sup>3</sup>/hr-500 M<sup>3</sup>/hr
- Available for single cell & multi cells & without basin
- Factory Assembled or Field Erected
- Available with Belt Drive, Direct Drive, Gear Drive options.

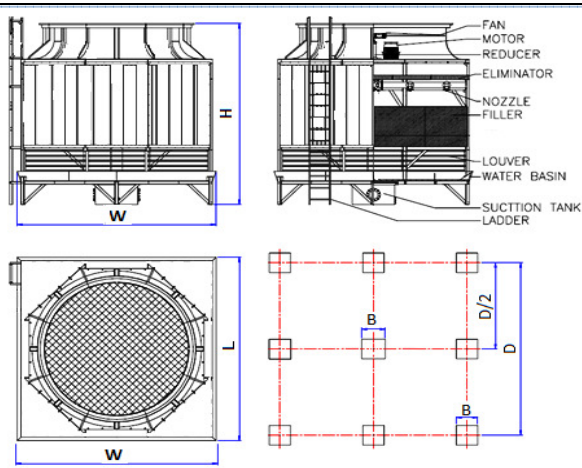
**Why shift to 1GT ?**

History of cooling tower is to preserve 'water, air & environment' we are in line to conserve the same with Innovative technology respecting every aspect of Quality & Performance.

- Energy and space saving
- Modular light weight construction
- Easier maintenance
- Guaranteed thermal Performance
- All Fibreglass Construction is both side finished.
- Less RCC foundation work
- Reduced installation time
- Corrosion Proof construction
- Least resistance in air flow path



Performance testing & Vibration control.



**Optional Equipment & Accessories ->**

- ▶ Handrail & safety cage.
- ▶ Sound Attenuators.
- ▶ Vibration Isolators.
- ▶ Two speed Motors.
- ▶ High temp componentary.
- ▶ Variable Frequency Drive. (VFD)
- ▶ Super Low Noise Models.
- ▶ Gear Reducer.

**Areas of Application -**

- Air-conditioning and refrigeration Industry
- Chemical Processing Industry
- Electricity Generating Industry
- Foundry industry
- Hospitals & hotels
- Pharma & research centre
- Petroleum Refining Industry
- Steel Industry and Sugar Industry ...etc



**No noise, no worries->**

Silent Cooling Tower

For hospitals, hotel industry etc by reducing fan & falling water noise. It is confirmed now by independent acoustic measurements that 1NNOVATIVE super low noise cooling towers are the quietest in the Indian market.

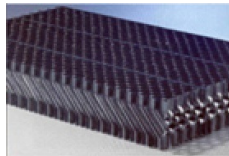


Low noise fan with lower fan speed. Sound attenuator with acoustic insulation layers minimises noise up to 62-65 db.

## COOLING TOWERS SPARES



Honeycomb design pvc fills  
Flute size **12 mm & 19 mm**  
Double edge folded sheets  
Operating temp up to 70°C



PVC Cellular type drift  
Eliminators. Minimal  
drift loss of 0.001% of  
water flow.



Special 6P/8P/10P Motors



High Efficiency Std Motors



S.S./PP spray nozzle covers  
2'X2' to 4'X4' of tower area.  
Easy locking mechanism.  
Uniform water distribution.



Aluminium & S.S sprinkler  
of all sizes are available.



Spray mechanism & spares  
for round cooling towers.



Nylon sandwich belts of  
any required size.  
CI Pulleys.



Axial fan Aluminium/ FRP  
(Made from Epoxy resin)  
Aerodynamic profile blade.  
Static/dynamically balanced

### 'V' Series of Square Cooling Towers

With Basin	L mm	W mm	H mm	Fan Diameter mm NB	Inlet/Outlet Size mm NB	Overflow/Dra in/Quick Fill mm NB	Float Valve Size mm NB	Basin Volume Litters
V33	1015	1015	2800	915	80	50	25	283.312
V43	1320	1320	2800	915	80	50	25	400
V54	1625	1625	2800	1220	100	50	25	650
V65	1930	1930	2800	1525	100	50	25	900
V75	2235	2235	2800	1525	150	80	25	1250
V86	2540	2540	3200	1830	150	80	25	1650
V97	2845	2845	3440	2135	150	80	50	2100
V107	3150	3150	3600	2135	200	80	50	2500
V118	3455	3455	3600	2440	200	80	50	3100
V129	3760	3760	3600	2745	250	80	50	3700
V139	4065	4065	3800	2745	250	100	50	4300
V1410	4370	4370	3800	3050	250	100	50	5000
V1511	4675	4675	3800	3355	200x2/300	100	50	5750
V1612	4980	4980	3800	3660	200x2/300	100	50	6550



Gear Reducers

### 'T' Series of Octagonal Cooling Towers

T86	2540	2540	3200	1830	150	80	25	1650
T97	2845	2845	3440	2135	150	80	50	2100
T107	3150	3150	3600	2135	200	80	50	2500
T118	3455	3455	3600	2440	200	80	50	3100
T129	3760	3760	3600	2745	250	80	50	3700
T139	4065	4065	3800	2745	250	100	50	4300
T1410	4370	4370	3800	3050	250	100	50	5000
T1511	4675	4675	3800	3355	200x2/300	100	50	5750
T1612	4980	4980	3800	3660	200x2/300	100	50	6550
T1713	5285	5285	4000	3965	200x2/300	100	50	NA
T1813	5590	5590	4000	3965	200x2/300	100	50	NA
T1914	5895	5895	4400	4270	200x2/300	100	50	NA

### 'C' Series of Round Cooling Towers

With Basin	TR	Diameter mm	H mm	Fan Diameter mm NB	Inlet/Outlet Size mm NB	Overflow/Dra in/Quick Fill mm NB	Float Valve Size mm NB	Basin Volume Litters
C1	40	1420	3200	915	80	50	25	350
C2	60	1750	3200	1220	80	50	25	580
C3	90	2080	3200	1525	100	50	25	850
C4	125	2410	3200	1525	100	50	25	1150
C5	150	2740	3200	1830	150	80	25	1500
C6	200	3070	3440	2135	150	80	50	1900
C8	250	3400	3600	2135	200	80	50	2350
C10	300	3730	3600	2440	200	80	50	2850
C12	350	4060	3600	2745	250	80	50	3400



### Satisfaction Guaranteed

Your peace of mind is important.  
That's why we offer a full one-year  
warranty on all parts and labour.

We also provide custom design cooling  
tower to meet special requirement.

In order to upgrade products  
Innovative cooling reserves the right  
to amend the technical data without  
prior notice.